



OPTIBATCH 4011 C Handbook

Mass flowmeter for process batching

All rights reserved. It is prohibited to reproduce this documentation, or any part thereof, without the prior written authorisation of KROHNE Messtechnik GmbH.

Subject to change without notice.

Copyright 2015 by
KROHNE Messtechnik GmbH - Ludwig-Krohne-Str. 5 - 47058 Duisburg (Germany)

1	Safety instructions	5
1.1	Intended use	5
1.2	CE certification	5
1.3	Associated documents	5
1.4	Dirty gas	5
1.5	Safety instructions from the manufacturer	6
1.5.1	Copyright and data protection	6
1.5.2	Disclaimer	6
1.5.3	Product liability and warranty	7
1.5.4	Information concerning the documentation	7
1.5.5	Warnings and symbols used	8
1.6	Safety instructions for the operator	8
2	Device description	9
2.1	Scope of delivery	9
2.2	Device description	9
3	Installation	10
3.1	Storage	10
3.2	General notes on installation	10
3.3	Mounting restrictions	11
3.3.1	General installation principles	11
3.3.2	Carousel installation	12
3.3.3	3A and EHEDG approval	13
3.3.4	Flow direction	13
3.3.5	Lumberg® connector	14
4	Electrical connections	15
4.1	Safety instructions	15
4.2	Lumberg connections	15
4.3	Power supply	17
4.4	Schematic layout (pulse output)	18
5	Start-up	20
5.1	Configuration with Toolbox	20
5.1.1	Manual connection	21
5.1.2	Automatic connection	22
5.1.3	Connection dialogue	22
5.1.4	Outputs	23
5.1.5	Setup	24
5.1.6	Zero calibration	26

6 Service	27
6.1 Spare parts availability	27
6.2 Availability of services	27
6.3 Returning the device to the manufacturer	27
6.3.1 General information	27
6.3.2 Form (for copying) to accompany a returned device	28
6.4 Disposal	28
7 Technical data	29
7.1 Measuring principle	29
7.2 Technical data	31
7.3 Measuring accuracy	34
7.4 Pressure drop	35
7.5 Dimensions and weights	37
7.5.1 Dimensions	37
7.5.2 Weights	38
8 Notes	39

1.1 Intended use

This flowmeter has been specifically designed for the fast batching measurement of mass or volume and is intended for use in filling machines or bespoke applications.

1.2 CE certification



This device conforms with the following EC directives:

- EMC Directive 2004/108/EC
- Low Voltage Directive 2006/95/EC
- Pressure Equipment Directive 97/23/EC

The manufacturer declares conformity and the device carries the CE mark.

1.3 Associated documents

This handbook should be read in conjunction with relevant documents in relation to:

- hazardous areas
- communications
- concentration
- corrosion

1.4 Dirty gas

Dirty gas is gas that carries sand or other solid particles. Dirty gas causes excessive wear to the primary measuring tube that can eventually result in complete tube failure. In some situations tube failure where gas is being measured, can be very dangerous.



DANGER!

If the meter is being used to measure gas and there is a risk that the gas might be dirty, you must fit a filter upstream of the meter to catch solid particles.

1.5 Safety instructions from the manufacturer

1.5.1 Copyright and data protection

The contents of this document have been created with great care. Nevertheless, we provide no guarantee that the contents are correct, complete or up-to-date.

The contents and works in this document are subject to copyright. Contributions from third parties are identified as such. Reproduction, processing, dissemination and any type of use beyond what is permitted under copyright requires written authorisation from the respective author and/or the manufacturer.

The manufacturer tries always to observe the copyrights of others, and to draw on works created in-house or works in the public domain.

The collection of personal data (such as names, street addresses or e-mail addresses) in the manufacturer's documents is always on a voluntary basis whenever possible. Whenever feasible, it is always possible to make use of the offerings and services without providing any personal data.

We draw your attention to the fact that data transmission over the Internet (e.g. when communicating by e-mail) may involve gaps in security. It is not possible to protect such data completely against access by third parties.

We hereby expressly prohibit the use of the contact data published as part of our duty to publish an imprint for the purpose of sending us any advertising or informational materials that we have not expressly requested.

1.5.2 Disclaimer

The manufacturer will not be liable for any damage of any kind by using its product, including, but not limited to direct, indirect or incidental and consequential damages.

This disclaimer does not apply in case the manufacturer has acted on purpose or with gross negligence. In the event any applicable law does not allow such limitations on implied warranties or the exclusion of limitation of certain damages, you may, if such law applies to you, not be subject to some or all of the above disclaimer, exclusions or limitations.

Any product purchased from the manufacturer is warranted in accordance with the relevant product documentation and our Terms and Conditions of Sale.

The manufacturer reserves the right to alter the content of its documents, including this disclaimer in any way, at any time, for any reason, without prior notification, and will not be liable in any way for possible consequences of such changes.

1.5.3 Product liability and warranty

The operator shall bear responsibility for the suitability of the device for the specific purpose. The manufacturer accepts no liability for the consequences of misuse by the operator. Improper installation or operation of the devices (systems) will cause the warranty to be void. The respective "Standard Terms and Conditions" which form the basis for the sales contract shall also apply.

1.5.4 Information concerning the documentation

To prevent any injury to the user or damage to the device it is essential that you read the information in this document and observe applicable national standards, safety requirements and accident prevention regulations.

If this document is not in your native language and if you have any problems understanding the text, we advise you to contact your local office for assistance. The manufacturer can not accept responsibility for any damage or injury caused by misunderstanding of the information in this document.

This document is provided to help you establish operating conditions, which will permit safe and efficient use of this device. Special considerations and precautions are also described in the document, which appear in the form of icons as shown below.

1.5.5 Warnings and symbols used

Safety warnings are indicated by the following symbols.



DANGER!

This warning refers to the immediate danger when working with electricity.



DANGER!

This warning refers to the immediate danger of burns caused by heat or hot surfaces.



DANGER!

This warning refers to the immediate danger when using this device in a hazardous atmosphere.



DANGER!

These warnings must be observed without fail. Even partial disregard of this warning can lead to serious health problems and even death. There is also the risk of seriously damaging the device or parts of the operator's plant.



WARNING!

Disregarding this safety warning, even if only in part, poses the risk of serious health problems. There is also the risk of damaging the device or parts of the operator's plant.



CAUTION!

Disregarding these instructions can result in damage to the device or to parts of the operator's plant.



INFORMATION!

These instructions contain important information for the handling of the device.



LEGAL NOTICE!

This note contains information on statutory directives and standards.



• **HANDLING**

This symbol designates all instructions for actions to be carried out by the operator in the specified sequence.

⇒ **RESULT**

This symbol refers to all important consequences of the previous actions.

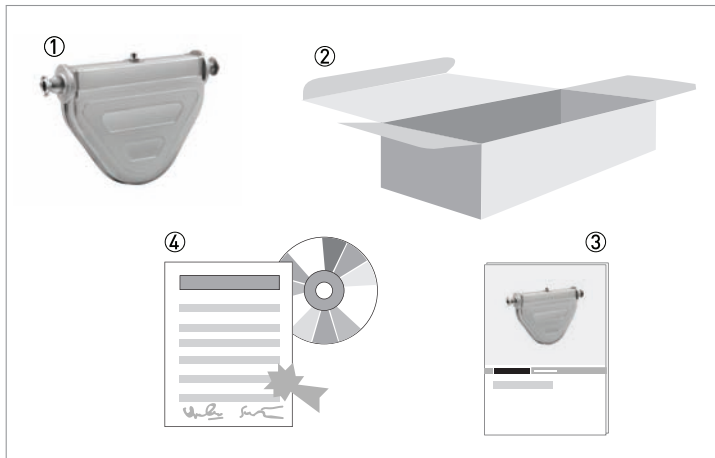
1.6 Safety instructions for the operator



WARNING!

*In general, devices from the manufacturer may only be installed, commissioned, operated and maintained by properly trained and authorized personnel.
This document is provided to help you establish operating conditions, which will permit safe and efficient use of this device.*

2.1 Scope of delivery



- ① Mass flowmeter.
- ② Carton.
- ③ Documentation.
- ④ CD-ROM and calibration certificate.

If any items are missing, please contact the manufacturer.

2.2 Device description

This device has been designed for the mass or volume measurement of liquid products in batching and filling machines.

With excellent repeatability and low flow stability, the device is supplied ready to install and operate. The operating data is factory set according to the order specification but can be changed with the use of Toolbox.



CAUTION!

Responsibility for the use of the measuring devices with regard to suitability, intended use and corrosion resistance of the used materials against the measured fluid lies solely with the operator.



INFORMATION!

This device is a Group 1, Class A device as specified within CISPR11:2009. It is intended for use in industrial environment. There may be potential difficulties in ensuring electromagnetic compatibility in other environments, due to conducted as well as radiated disturbances.



INFORMATION!

The manufacturer is not liable for any damage resulting from improper use or use for other than the intended purpose.

3.1 Storage

- Store the device in a dry and dust-free location.
- Avoid direct exposure to the sun.
- Store the device in its original packing.
- Do not allow the ambient temperature to fall below -50°C / -58°F or rise above $+85^{\circ}\text{C}$ / $+185^{\circ}\text{F}$.

3.2 General notes on installation



INFORMATION!

Inspect the packaging carefully for damages or signs of rough handling. Report damage to the carrier and to the local office of the manufacturer.



INFORMATION!

Do a check of the packing list to make sure that you have all the elements given in the order.



INFORMATION!

Look at the device nameplate to ensure that the device is delivered according to your order. Check for the correct supply voltage printed on the nameplate.

3.3 Mounting restrictions

3.3.1 General installation principles

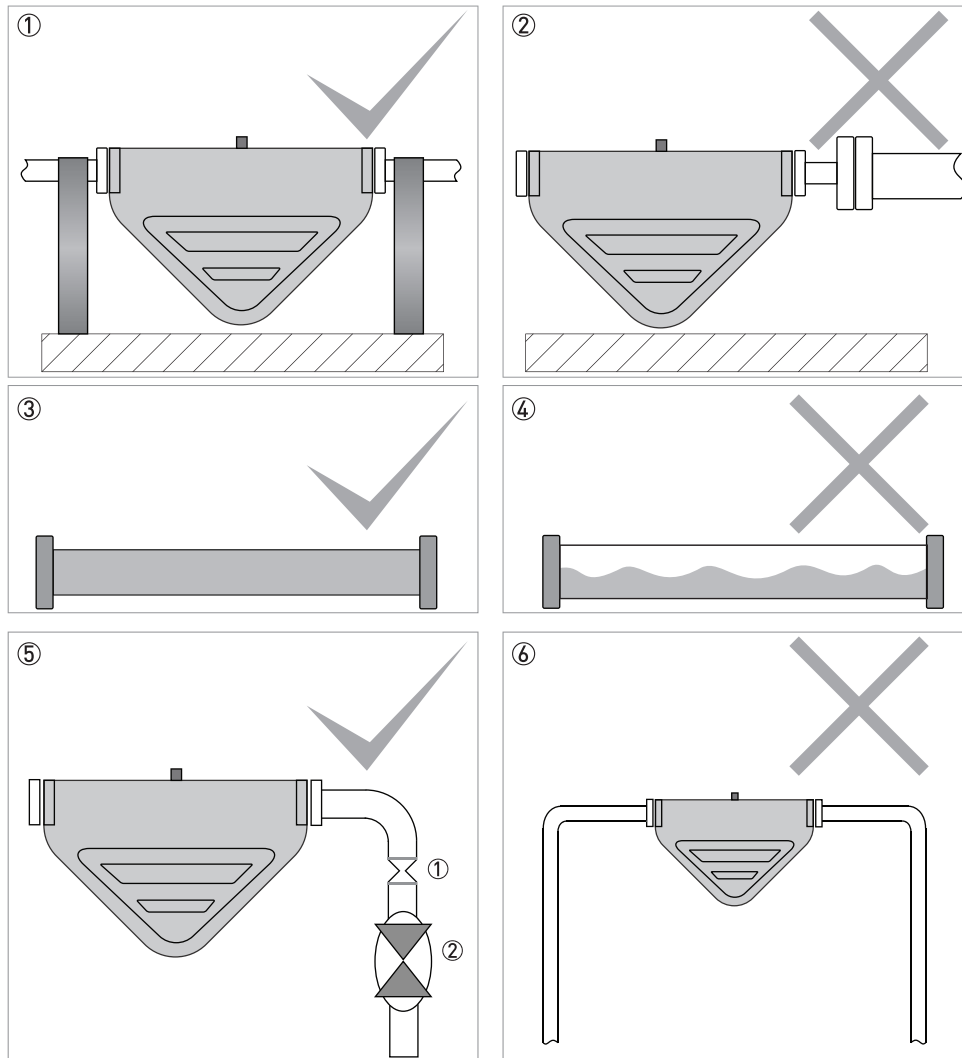


Figure 3-1: General mounting restrictions

- ① Fully support the weight of the meter. The meter can be supported with clamps close to the connecting flanges.
- ② Do not use extreme reductions in process pipework size.
- ③ Make sure that the process pipework is full at all times.
- ④ Do not let the flow fall in the process pipework. Low process flow will cause a measuring error.
- ⑤ If the meter has been installed with an open-ended down-pipe, install an orifice plate or restrictor [①] to make sure that the pipework remains full during measurement. A fast-acting batch or shut-off valve [②] should also be installed downstream of the meter.
- ⑥ It is recommended that you DO NOT mount the meter at the highest point in the pipework because it can cause air / gas to collect in the meter.

3.3.2 Carousel installation

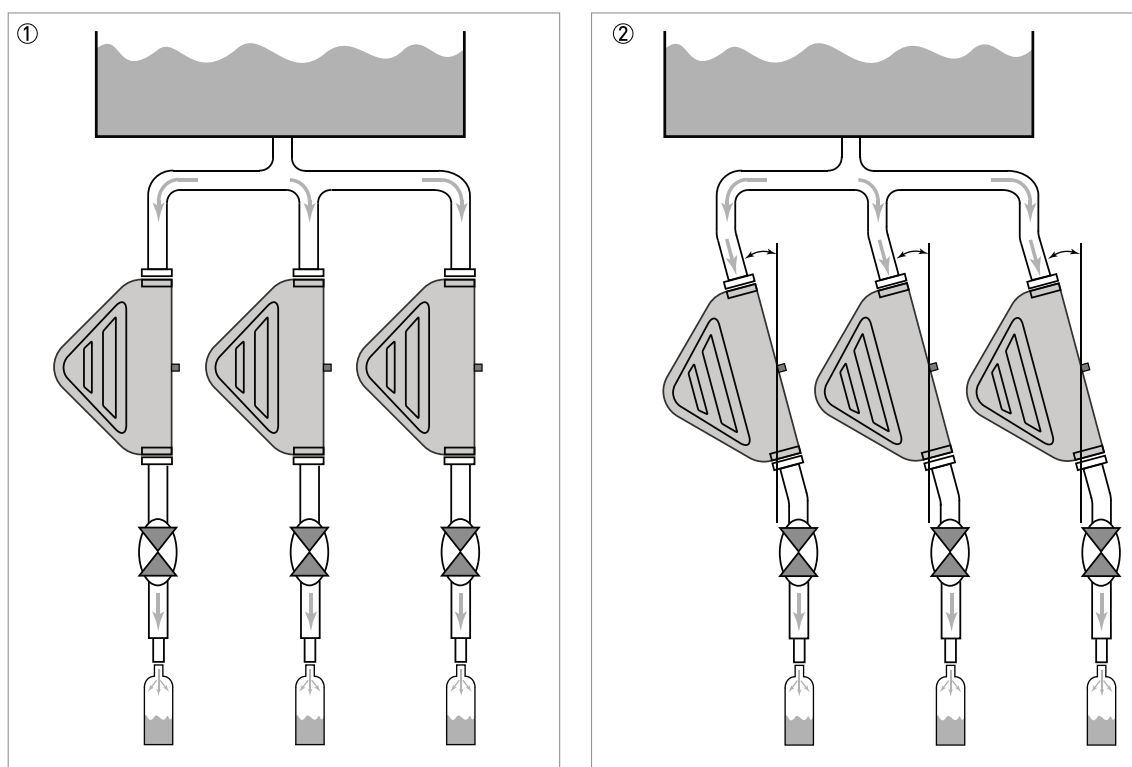
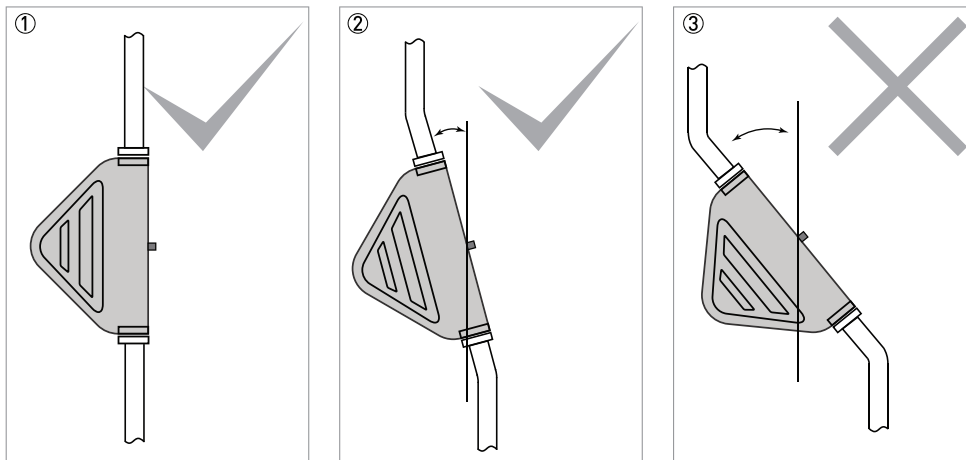


Figure 3-2: Carousel installation

- ① Typical installation
- ② Installation showing the maximum offset angle which is 12° from the vertical

- Where the meter has to be installed at an angle, DO NOT exceed the maximum offset angle.
- If the maximum angle is exceeded, the meter will not self drain.

3.3.3 3A and EHEDG approval



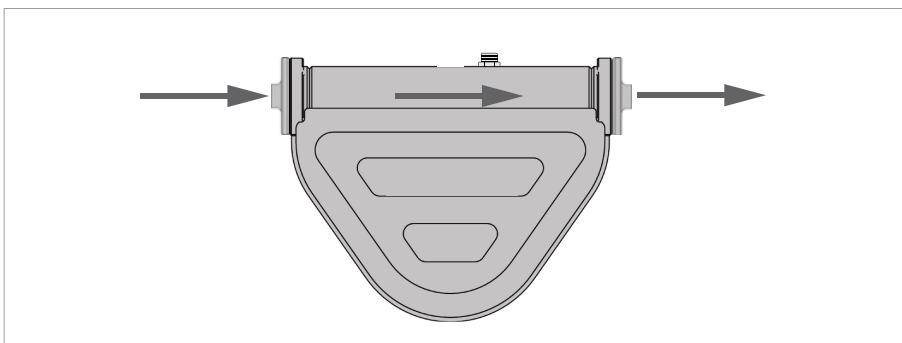
- ① Mount the meter vertically to allow self-draining.
- ② If you are installing at an angle, the maximum offset angle for the meter to be self-draining is 12°.
- ③ DO NOT install the meter with an offset angle greater than 12°. This will prevent the meter from self-draining.

To satisfy the sanitary requirements of the European Hygienic Engineering and Design Group, when installing this meter you **MUST** give consideration to:

- Installation - install the meter at an angle to allow self-draining (see illustration).
- Cleaning fluids - cleaning fluids should flow uphill with a velocity rate greater than 1.5 m/s / 5 ft/s. If the process flow is downhill, install a flow restrictor downstream of the meter. This will make sure that the meter is completely filled with the cleaning fluid.
- Process connections and seals **MUST** be in accordance with EHEDG documentation.

The manufacturer also recommends that you refer to EHEDG (www.ehedg.org) document number 8 "HYGIENIC EQUIPMENT DESIGN CRITERIA".

3.3.4 Flow direction

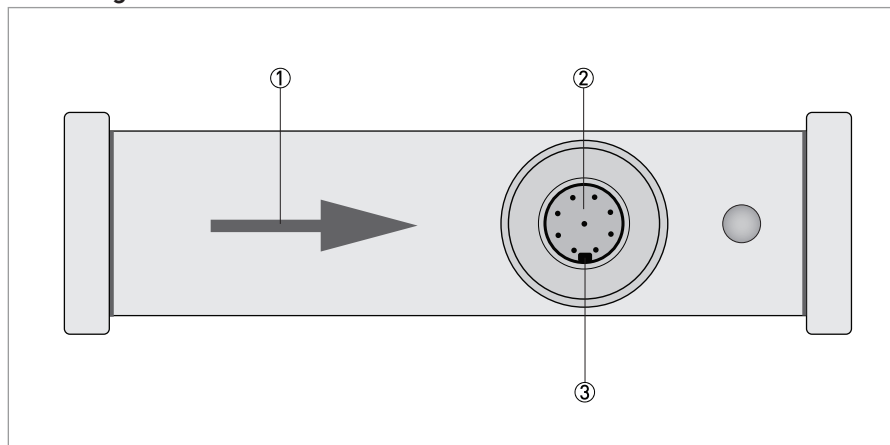


With the orientation of the meter as shown in the illustration (Lumberg® connector offset to the right) the factory set flow direction is left to right.

If the meter has been installed with the process flow running from right to left, the flow direction can be changed through the supplied software **Toolbox**. Please see the **START-UP** section.

3.3.5 Lumberg® connector

Lumberg® connector orientation



- ① Flow direction
- ② Lumberg® connector
- ③ Keyway

4.1 Safety instructions



DANGER!

All work on the electrical connections may only be carried out with the power disconnected. Take note of the voltage data on the nameplate!



DANGER!

Observe the national regulations for electrical installations!



DANGER!

For devices used in hazardous areas, additional safety notes apply; please refer to the Ex documentation.



WARNING!

Observe without fail the local occupational health and safety regulations. Any work done on the electrical components of the measuring device may only be carried out by properly trained specialists.



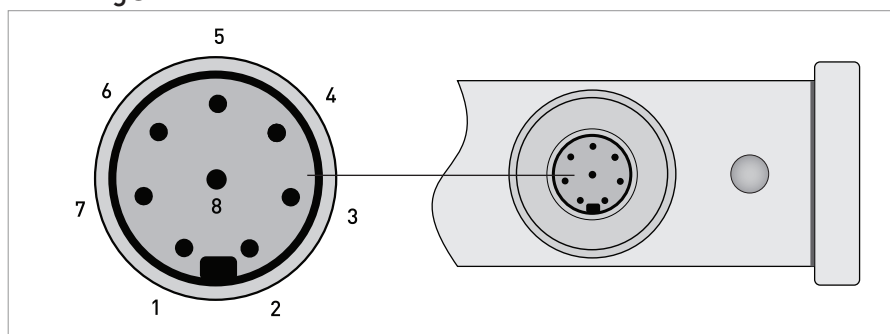
INFORMATION!

Look at the device nameplate to ensure that the device is delivered according to your order. Check for the correct supply voltage printed on the nameplate.

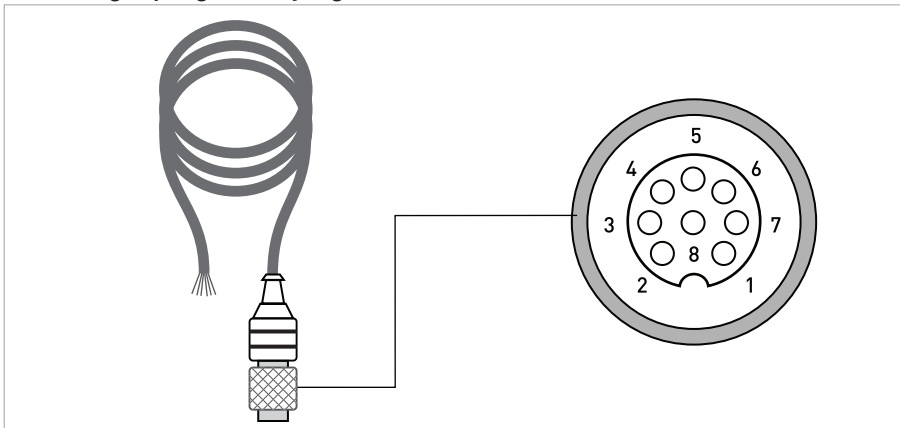
4.2 Lumberg connections

Electrical and signal connections to the flowmeter are through an 8 pin Lumberg® connector. To connect to the flowmeter, use a Lumberg® RKT 8-282/2 M (straight) or RKWT 8-282/2 M (90° elbow) plug and flying lead. An alternative plug connector with the same pin / keyway configuration, can also be used.

Lumberg® connector



Lumberg® plug and flying lead

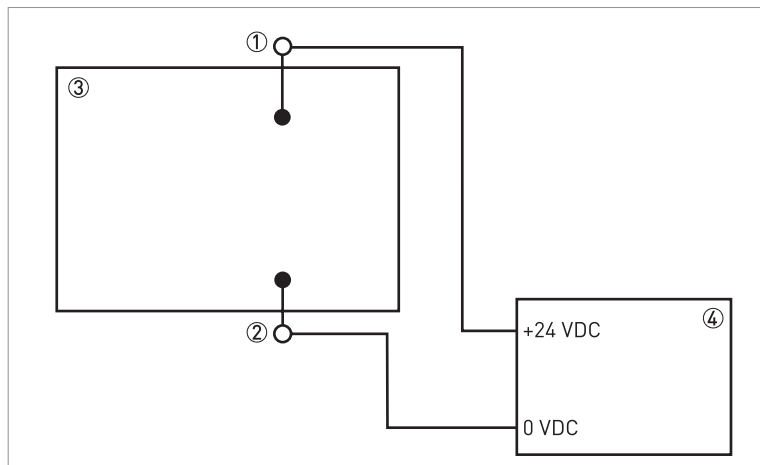


Plug / pin connections

Pin	Function	Colour
1	PSU + 24 V	White
2	RS485 A	Brown
3	RS485 B	Green
4	PSU + 0 V	Yellow
5	Pulse +	Grey
6	Pulse -	Pink
7	N / C	Blue
8	N / C	Screen

The pin / colour configurations shown in the table, are for the Lumberg® flying lead. Other manufacturers might use a different pin / colour configuration. If you are not using the Lumberg® flying lead, use the first two columns in the table to assign the correct function to each pin.

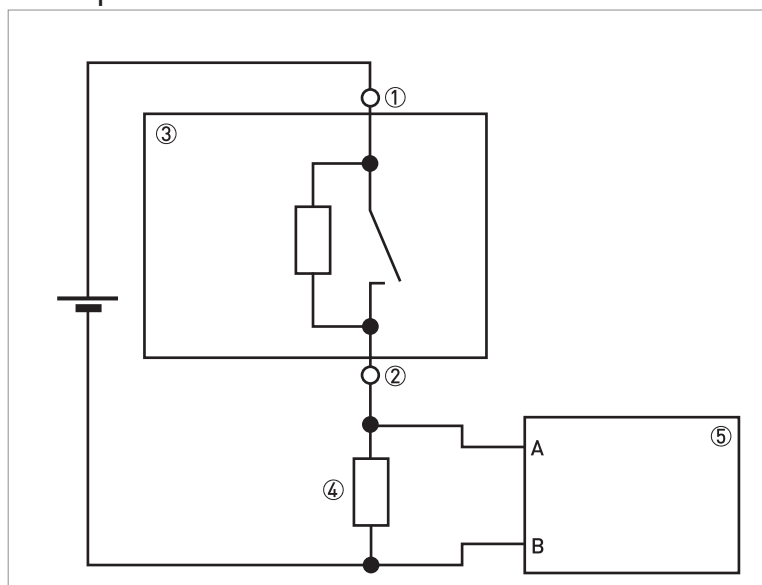
4.3 Power supply



- ① Connection plug pin 1
- ② Connection plug pin 4
- ③ Meter
- ④ Protected extra-low voltage (PELV) power supply

4.4 Schematic layout (pulse output)

Sink input



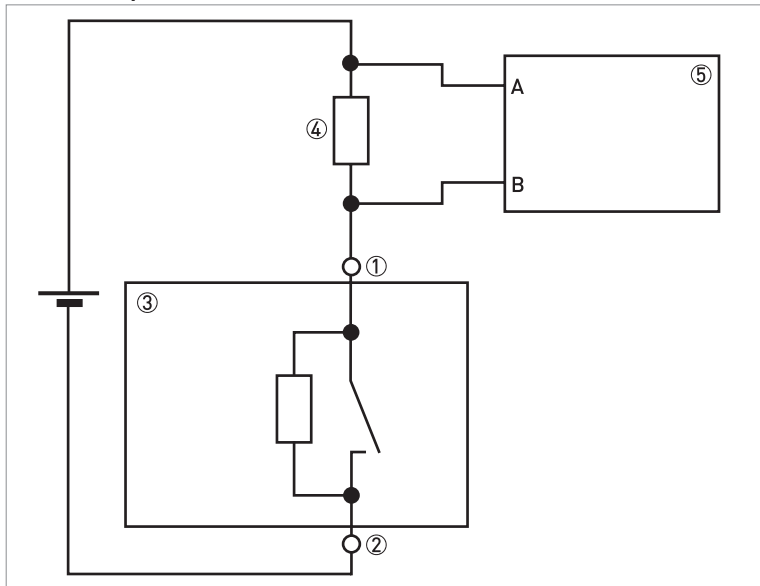
A Input
B Ground

- ① Connection plug pin 5
- ② Connection plug pin 6
- ③ Galvanically isolated pulse output of the meter
- ④ Load resistor. See table for typical values
- ⑤ Batch processor or PLC sink input with an impedance greater than 10 k Ω

Typical load resistor values

Input	Load resistor
5 V TTL input	330 Ω
10...24 V input	1 k Ω

Source input 10...24 V



A V+
B Input

- ① Connection plug pin 5
- ② Connection plug pin 6
- ③ Galvanically isolated passive pulse output of the meter
- ④ Load resistor. Typical value is 1 k Ω
- ⑤ PLC source input with an impedance greater than 10 k Ω

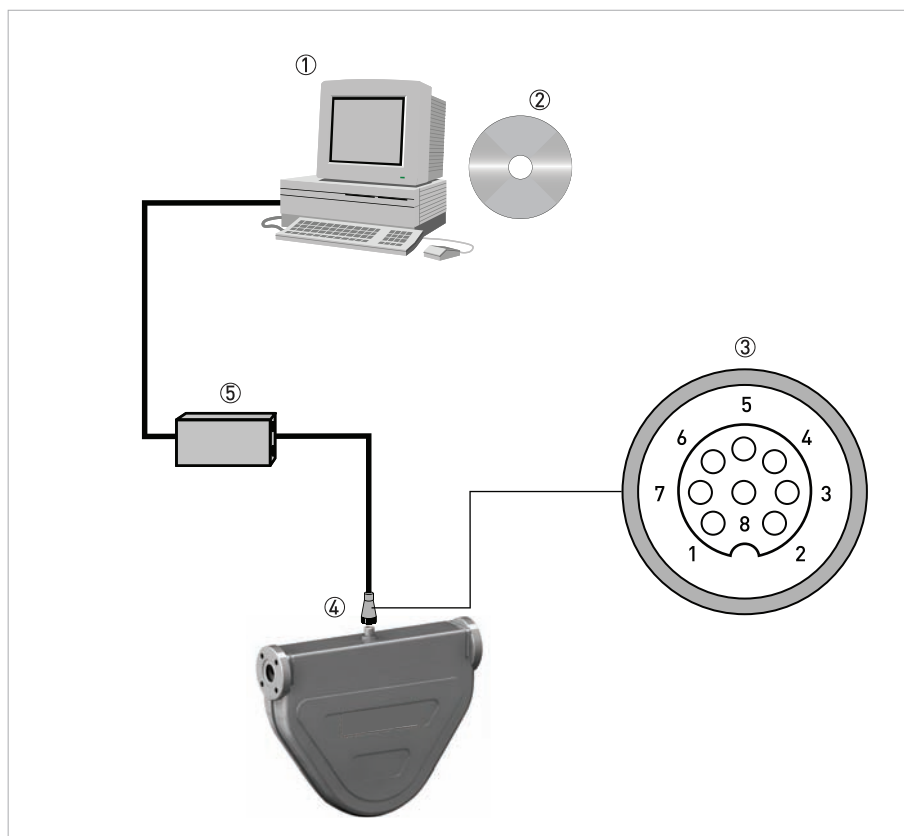
5.1 Configuration with Toolbox

The meter can be configured using the supplied software and adaptor, which allows connection to a personal computer (PC) or a laptop.



INFORMATION!

When the meter is in configuration mode, the pulse output is not available.



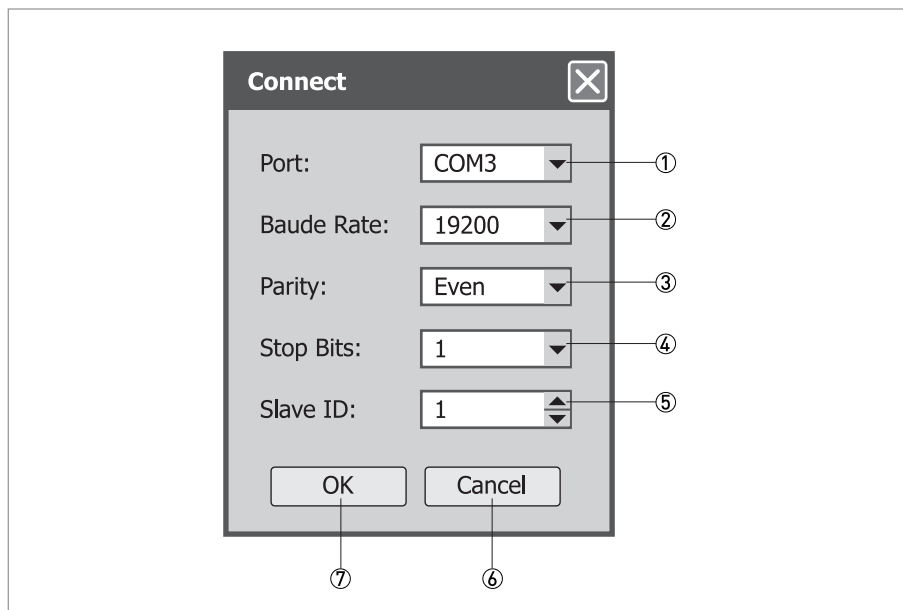
- ① Personal computer or laptop
- ② Toolbox software CD
- ③ Connection plug
- ④ Mass flowmeter
- ⑤ RS458 to USB converter



Connection with Toolbox

- Connect the meter to a personal computer or laptop using the converter.
- Launch Toolbox but DO NOT try to connect to the meter.
- Connect the meter to the power supply.
- Select either Connection > Connect or Connection > Auto Connect to connect Toolbox to the meter. This MUST be done within 10 seconds of energising the meter.

5.1.1 Manual connection



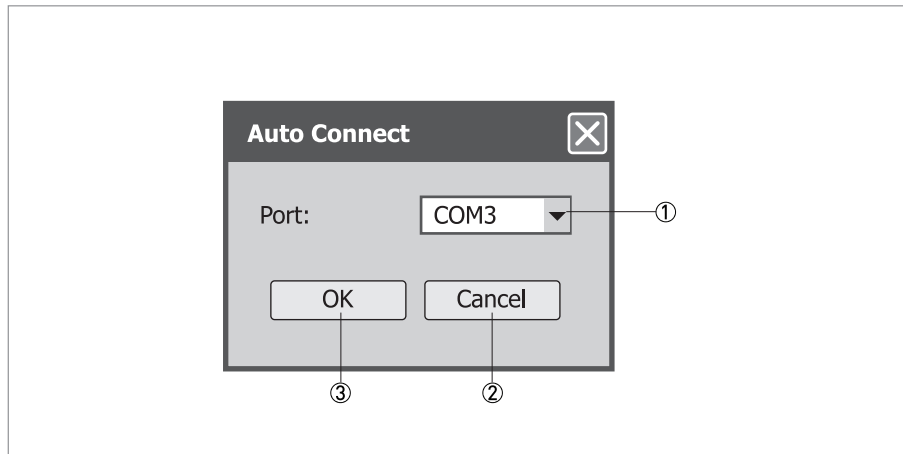
- ① Connection Port
- ② Baud Rate
- ③ Parity
- ④ Stop Bits
- ⑤ Slave ID
- ⑥ Cancel button
- ⑦ OK button



- Press <F3> or select Connection > Auto Connect.
- ➡ The Connect dialogue box will open.
- Select the Port you wish to connect through. The default values for: Baud Rate, Parity, Stop Bits and Slave ID are shown.
- Select OK or Cancel
- ➡ Toolbox will connect to the meter.

5.1.2 Automatic connection

An automatic connection can be made with a single meter on a point-to-point basis.



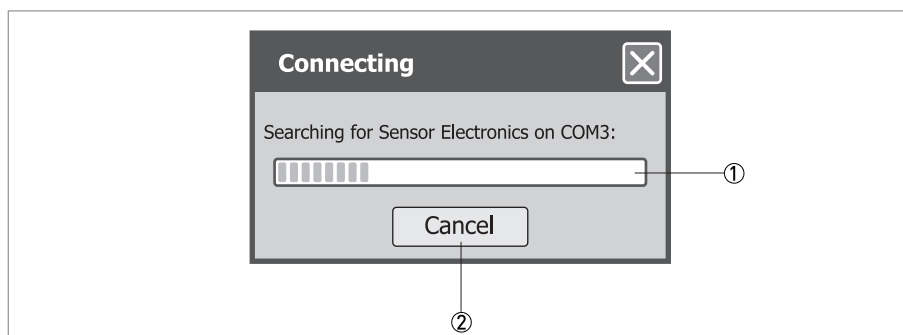
- ① Connection port
- ② Cancel button
- ③ OK button



- Press F5 or select: Connection > Auto Connect.
- ➔ The Auto Connect dialogue box opens.
- Select the Port you wish to connect through.
- Select OK or Cancel
- ➔ Toolbox will connect to the meter.

5.1.3 Connection dialogue

While Toolbox is connecting to the meter, the dialogue box will show the progress.

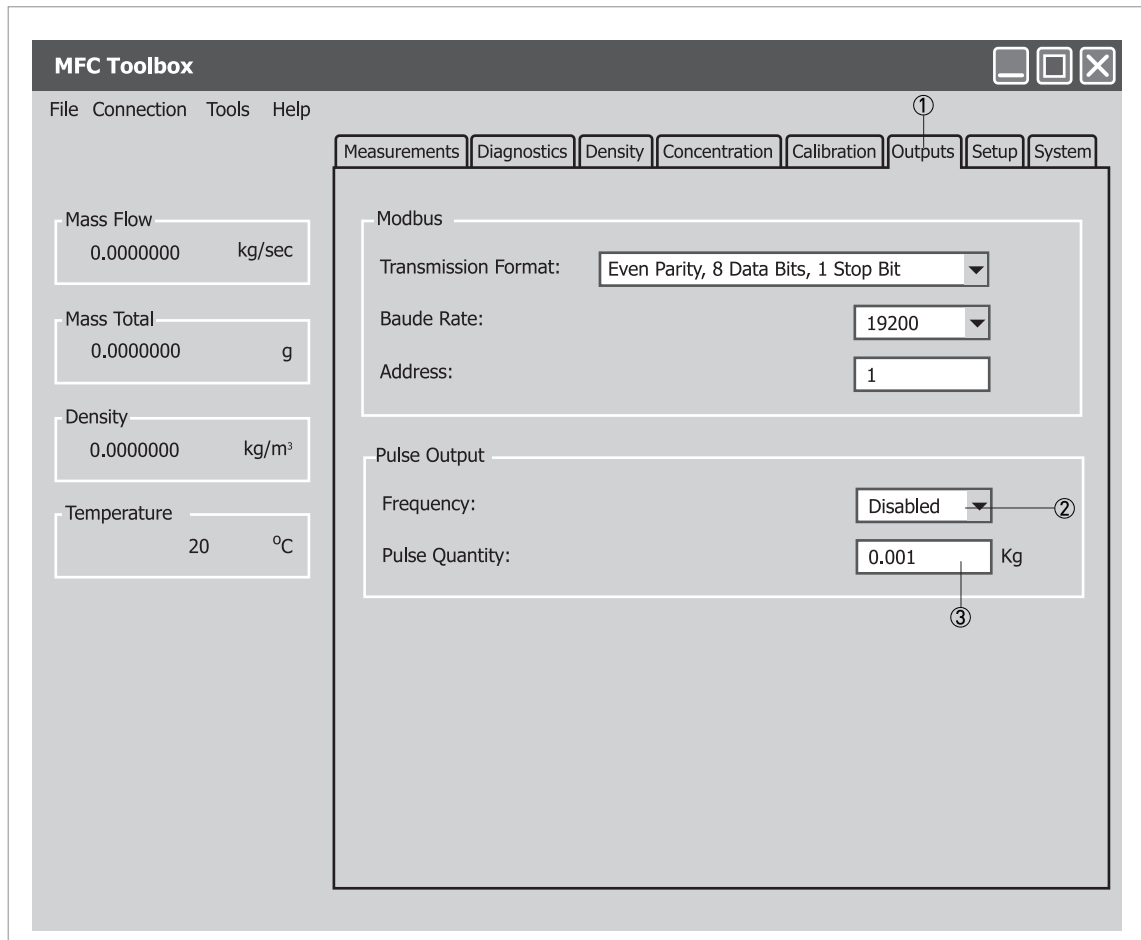


- ① Connection progress
- ② Cancel button

If you want to stop the connection process, use the **Cancel** button. When the connection has been made, the dialogue box will close.

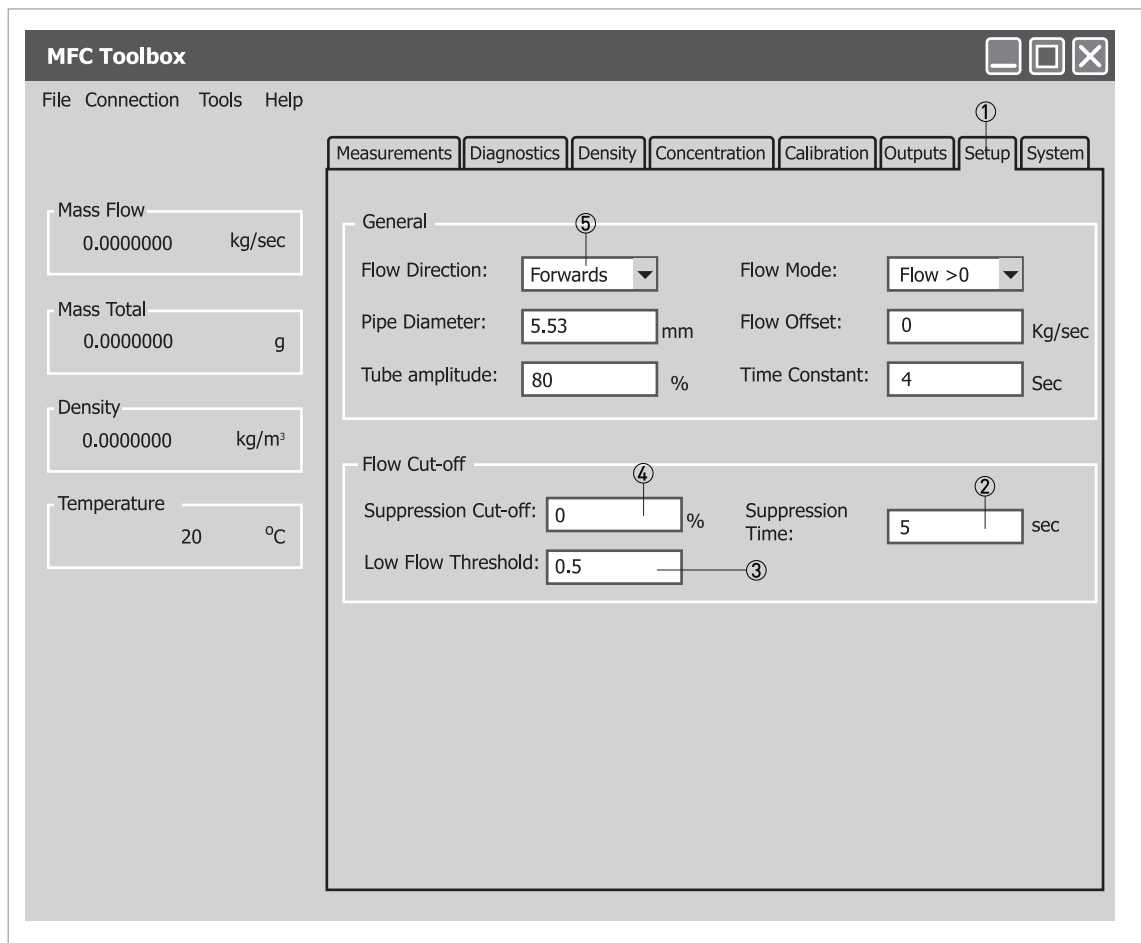
5.1.4 Outputs

The meter is pre-configured according to the customer's order. If it is necessary to change output parameters, it is recommended that only Frequency and Pulse Quantity are changed.



- ① Output tab
- ② Frequency - sets the maximum pulse frequency to 1 kHz or 10 kHz / mass or volume
- ③ Pulse Quantity - sets the quantity of each pulse. The units are the same as for Mass Total

5.1.5 Setup

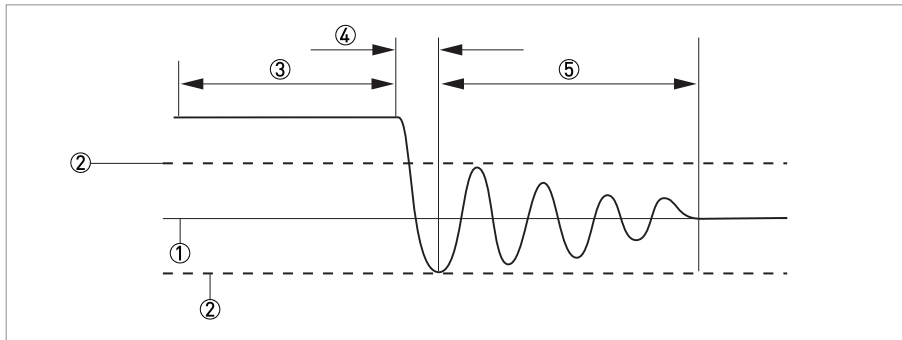


- ① Setup tab
- ② Suppression time
- ③ Low Flow Threshold
- ④ Suppression Cut-Off
- ⑤ Flow Direction

Ringing

High-speed valves can cause unwanted tube vibrations that result in surges in the signal amplitude. This effect is referred to as "ringing".

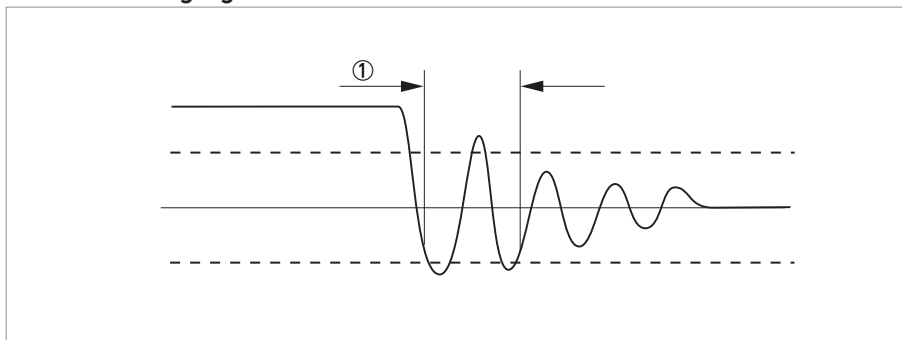
Low Flow Threshold



- ① Zero line
- ② Low Flow Threshold
- ③ Mass flow
- ④ Valve shut off
- ⑤ Ringing

For most applications, the Low Flow Threshold will stop ringing affecting the mass flow measurement.

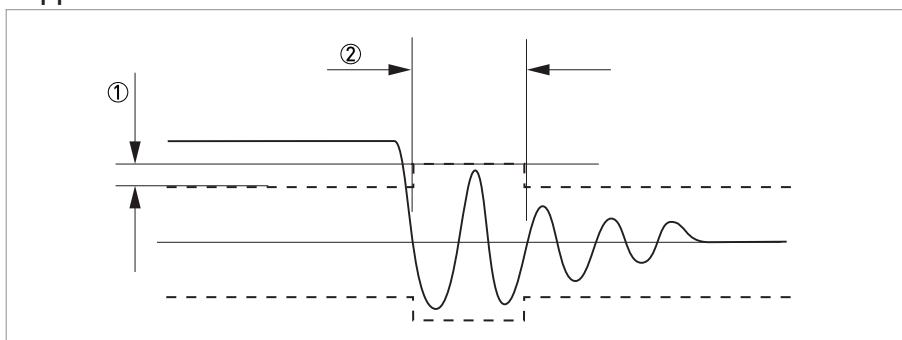
Excessive ringing



- ① Ringing above Low Flow Threshold

In some applications, the ringing might be above the Low Flow Threshold.

Suppression Cut Off



- ① Suppression Cut Off
- ② Suppression Time

In these applications, use the Suppression Cut Off and Suppression Time parameters to temporarily adjust the Low Flow Threshold. This will stop the ringing from affecting the mass flow measurement.

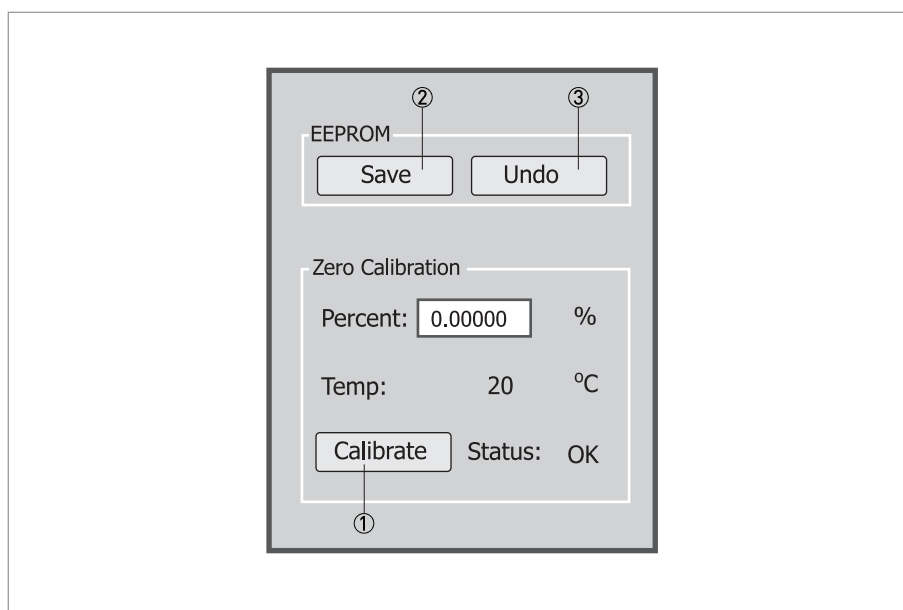
Flow Direction

The factory default flow direction is left to right. The **Flow Direction** parameter shows the flow as running **Forwards**. If the meter has been installed with the flow running in the opposite direction, the **Flow Direction** parameter can be changed to **Backwards**.

5.1.6 Zero calibration

The meter is supplied with a factory set zero calibration but in certain circumstances it might be necessary to re-set the zero calibration. These might be:

- where the highest accuracy is required with very low flow rates
- extreme process conditions (for example where the meter is being used to measure high viscosity liquids).



- ① Zero calibration button
- ② Save button
- ③ Undo button



Zero calibration procedure

- Flush the process fluid through the meter
- Close the downstream valve
- Maintain the process pressure
- Select Calibrate. This will start the zero calibration procedure
- When the zero calibration has been set, select Save to store the calibration data

6.1 Spare parts availability

The manufacturer adheres to the basic principle that functionally adequate spare parts for each device or each important accessory part will be kept available for a period of 3 years after delivery of the last production run for the device.

This regulation only applies to spare parts which are subject to wear and tear under normal operating conditions.

6.2 Availability of services

The manufacturer offers a range of services to support the customer after expiration of the warranty. These include repair, maintenance, technical support and training.



INFORMATION!

For more precise information, please contact your local sales office.

6.3 Returning the device to the manufacturer

6.3.1 General information

This device has been carefully manufactured and tested. If installed and operated in accordance with these operating instructions, it will rarely present any problems.



CAUTION!

Should you nevertheless need to return a device for inspection or repair, please pay strict attention to the following points:

- *Due to statutory regulations on environmental protection and safeguarding the health and safety of the personnel, the manufacturer may only handle, test and repair returned devices that have been in contact with products without risk to personnel and environment.*
- *This means that the manufacturer can only service this device if it is accompanied by the following certificate (see next section) confirming that the device is safe to handle.*



CAUTION!

If the device has been operated with toxic, caustic, flammable or water-endangering products, you are kindly requested:

- *to check and ensure, if necessary by rinsing or neutralising, that all cavities are free from such dangerous substances,*
- *to enclose a certificate with the device confirming that it is safe to handle and stating the product used.*

6.3.2 Form (for copying) to accompany a returned device



CAUTION!

To avoid any risk for our service personel, this form has to be accessible from outside of the packaging with the returned device.

Company:		Address:	
Department:		Name:	
Tel. no.:		Fax no. and/or Email address:	
Manufacturer's order no. or serial no.:			
The device has been operated with the following medium:			
This medium is:	<input type="checkbox"/>	radioactive	
	<input type="checkbox"/>	water-hazardous	
	<input type="checkbox"/>	toxic	
	<input type="checkbox"/>	caustic	
	<input type="checkbox"/>	flammable	
	<input type="checkbox"/>	We checked that all cavities in the device are free from such substances.	
<input type="checkbox"/>	We have flushed out and neutralized all cavities in the device.		
We hereby confirm that there is no risk to persons or the environment through any residual media contained in the device when it is returned.			
Date:		Signature:	
Stamp:			

6.4 Disposal



CAUTION!

Disposal must be carried out in accordance with legislation applicable in your country.

Separate collection of WEEE (Waste Electrical and Electronic Equipment) in the European Union:

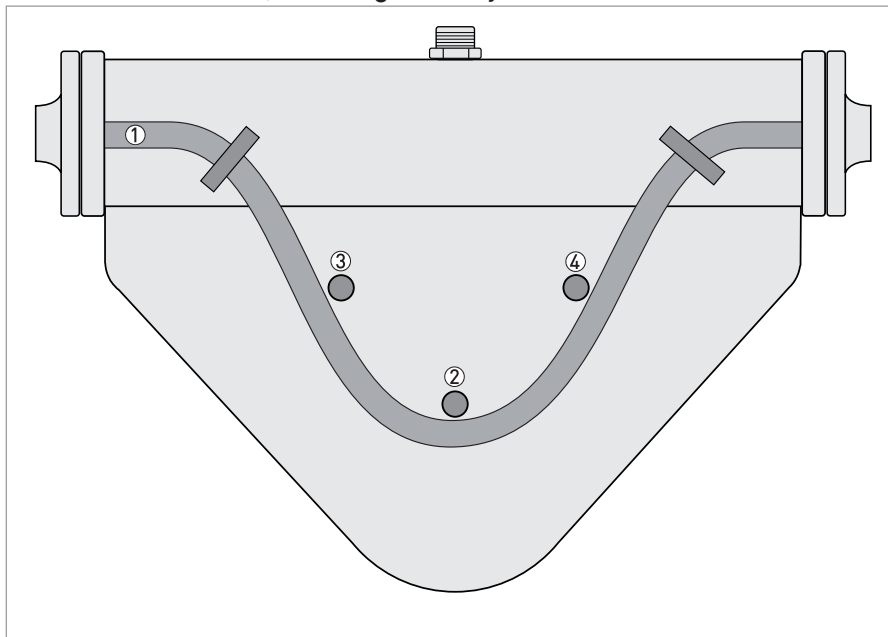


According to the directive 2012/19/EU, the monitoring and control instruments marked with the WEEE symbol and reaching their end-of-life **must not be disposed of with other waste.**

The user must dispose of the WEEE to a designated collection point for the recycling of WEEE or send them back to our local organisation or authorised representative.

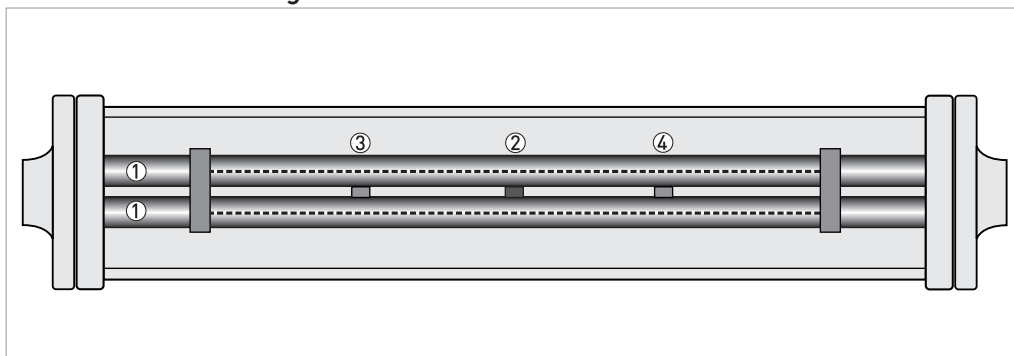
7.1 Measuring principle

Meter from the side, showing tube layout



- ① Measuring tubes
- ② Drive coil
- ③ Sensor 1
- ④ Sensor 2

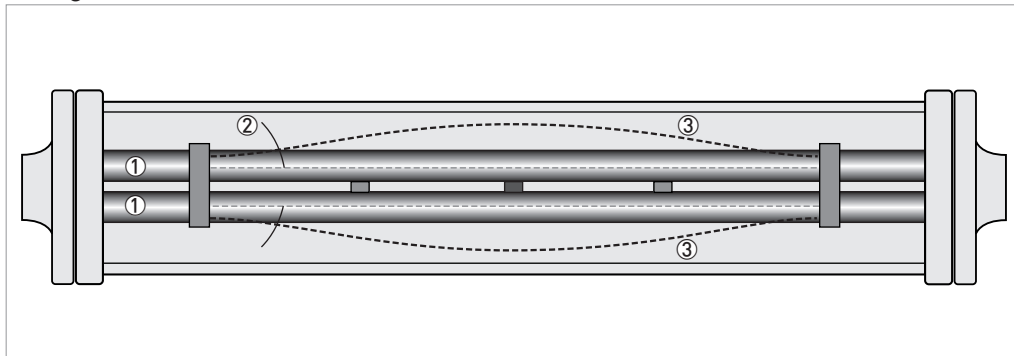
Static meter not energised and with no flow



- ① Measuring tubes
- ② Drive coil
- ③ Sensor 1
- ④ Sensor 2

A Coriolis twin-tube mass flowmeter consists of two measuring tubes (①) a drive coil (②) and two sensors (③ and ④) that are positioned either side of the drive coil.

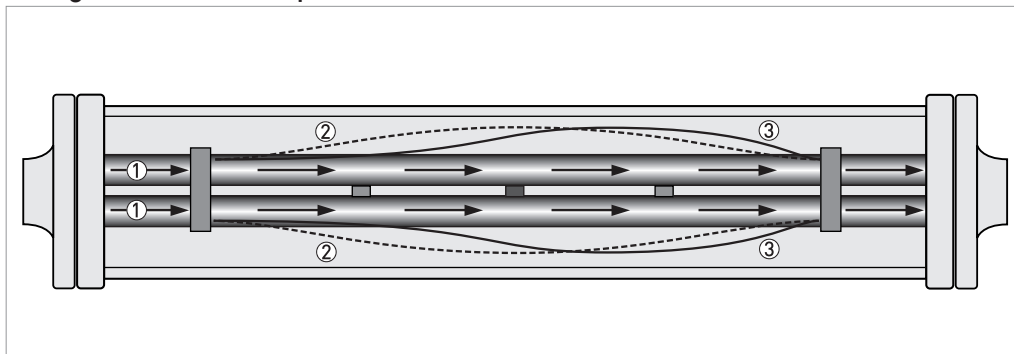
Energised meter



- ① Measuring tubes
- ② Direction of oscillation
- ③ Sine wave

When the meter is energised, the drive coil vibrates the measuring tubes causing them to oscillate and produce a sine wave (③). The sine wave is monitored by the two sensors.

Energised meter with process flow



- ① Process flow
- ② Sine wave
- ③ Phase shift

When a fluid or gas passes through the tubes, the Coriolis effect causes a phase shift in the sine wave that is detected by the two sensors. This phase shift is directly proportional to the mass flow.

Density measurement is made by evaluation of the frequency of vibration and temperature measurement is made using a Pt500 sensor.

7.2 Technical data



INFORMATION!

- The following data is provided for general applications. If you require data that is more relevant to your specific application, please contact us or your local sales office.
- Additional information (certificates, special tools, software,...) and complete product documentation can be downloaded free of charge from the website (Downloadcenter).

Measuring system

Measuring principle	Coriolis mass flow
Application range	Measurement of liquids in batching and filling machines
Measured values	Mass
Calculated values	Volume

Design

Basic	System consists of a measuring sensor with integral converter to process the output signal
Features	Fully welded maintenance- free sensor with twin U-shaped measuring tube
Variants	
Compact version	Integral converter

Measuring accuracy

Mass	
$Q_{nom} \times 0.1 \leq Q$	$\pm 0.15\%$ of actual measured flow rate
$Q < Q_{nom} \times 0.1$	$\pm 0.1\%$ of actual measured flow rate + zero stability
Volume	
$Q_{nom} \times 0.1 \leq Q$	$\pm 0.2\%$ of actual measured flow rate
$Q < Q_{nom} \times 0.1$	$\pm 0.15\%$ of actual measured flow rate + zero stability
Zero stability	
Stainless Steel	0.005% of nominal flow
Repeatability (at reference conditions)	
Filling time	Standard deviation
$1.5 \text{ s} < \text{Filling time} \leq 3 \text{ s}$	0.13%
$3 \text{ s} < \text{Filling time} \leq 5 \text{ s}$	0.07%
$5 \text{ s} < \text{Filling time}$	0.04%
Reference conditions	
Warm-up time	15 min
Product	Water
Temperature	+20°C / +68°F
Operating pressure	1 barg / 14.5 psig
Accreditation	UKAS to EN17025

Operating conditions

Nominal flow rates	
S08	10 kg/min / 22 lb/min
S10	22 kg/min / 48.4 lb/min
S15	72 kg/min / 158.4 lb/min
Ambient temperature	
Compact version	-40...+55°C / -40...+131°F
Process temperature	
Operating temperature	0...+100°C / 32...+212°F
SIP/CIP	Maximum +120°C / +248°F
	Maximum 1h duration
Nominal pressure at 20°C / 68°F	
Measuring tube	
Stainless Steel	-1...40 barg / -14.5...580 psig
Fluid properties	
Permissible physical condition	Liquids
Permissible gas content (volume)	Contact manufacturer for information.
Permissible solid content (volume)	Contact manufacturer for information.
Protection category (acc. to EN 60529)	IP 67, NEMA 6

Installation conditions

Inlet runs	None required
Outlet runs	None required

Materials

Stainless Steel meter	
Measuring tube	Stainless Steel 316L (1.4404)
Surface finish (wetted parts)	Standard Ra 0.8 µm
	Optional Ra 0.5 µm
Process connections	Stainless Steel 316L (1.4404)
Outer casing	Stainless Steel 316 (1.4401), hermetically sealed as standard
	Optional polishing of all externals

Process connections

Hygienic	
Tri-clover	½...1"
Tri-clamp DIN 32676	DN10...25
Tri-clamp ISO 2852	1"
Clamp IDF	10...15A
DIN 11864-2 Form A	DN20
Male thread DIN 11851	DN10...25
Male thread SMS	1"
Male thread RJT	1"

Electrical Connection

Connection	
Electrical connections	Micro (M12) male, 8 pole (Lumberg PRSFM 8/0.5M)
Power Supply	
Voltage	24 VDC \pm 20%
Power consumption	3 W
Power supply type	Protected extra-low voltage (PELV)
Pulse/Frequency Output	
Pulse rate for Q = 100%	Maximum 10 kHz
	Factory set according to customer requirements
Pulse width	Selectable 1 kHz or 10 kHz symmetrical pulse
	Factory set according to customer requirements
Connection	External voltage: $U_{\text{ext}} \leq 30 \text{ VDC} / \leq 24 \text{ VAC}$
	Load rating: $I_{\text{max}} = 20 \text{ mA}$

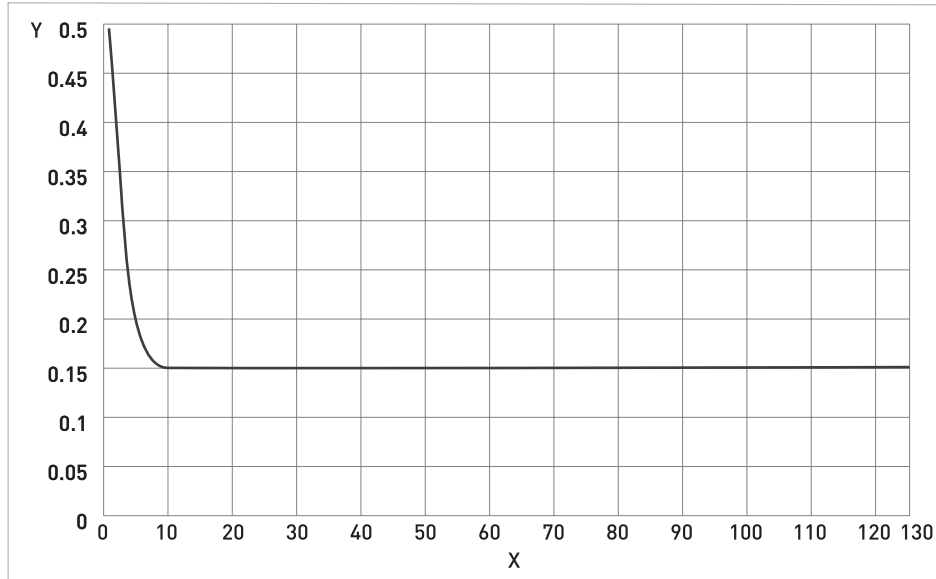
Configuration

Function	MODBUS connection for programming and configuration of full process parameters using software supplied
	Note: MODBUS and pulse / frequency output can not be used simultaneously
Type	RS485 Modbus RTU

Approvals

Mechanical	
Electromagnetic compatibility (EMC) acc. to CE	Namur NE 21/5.95
	2004/108/EC (EMC)
	2006/95/EC (Low Voltage Directive)
Hygienic	3A 28-03
	ASME BPE 2005
	Conforms with FDA guidelines
	EHEDG
Vibration	IEC 60068-2-6

7.3 Measuring accuracy



X Flow rate [%]
Y Measuring error [%]

Measuring error

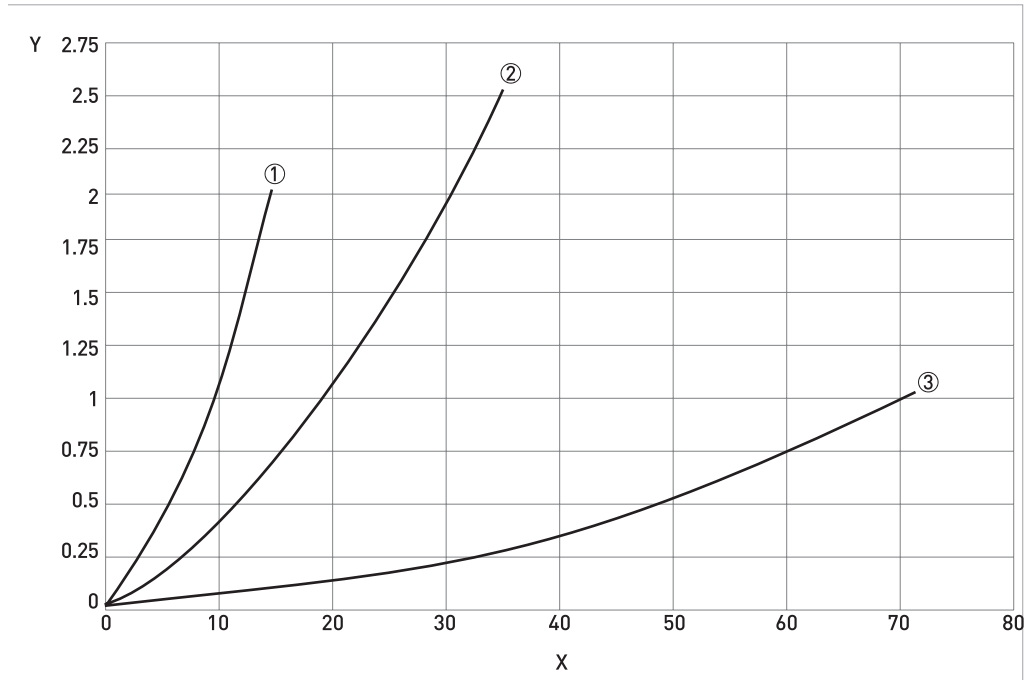
The measuring error is obtained from the combined effects of accuracy and zero stability.

Reference conditions

Product	Water
Temperature	+20°C / +68°F
Operating pressure	1 barg / 14.5 psig

7.4 Pressure drop

Metric



X Mass flow [kg / min]

Y Pressure [barg]

① S08

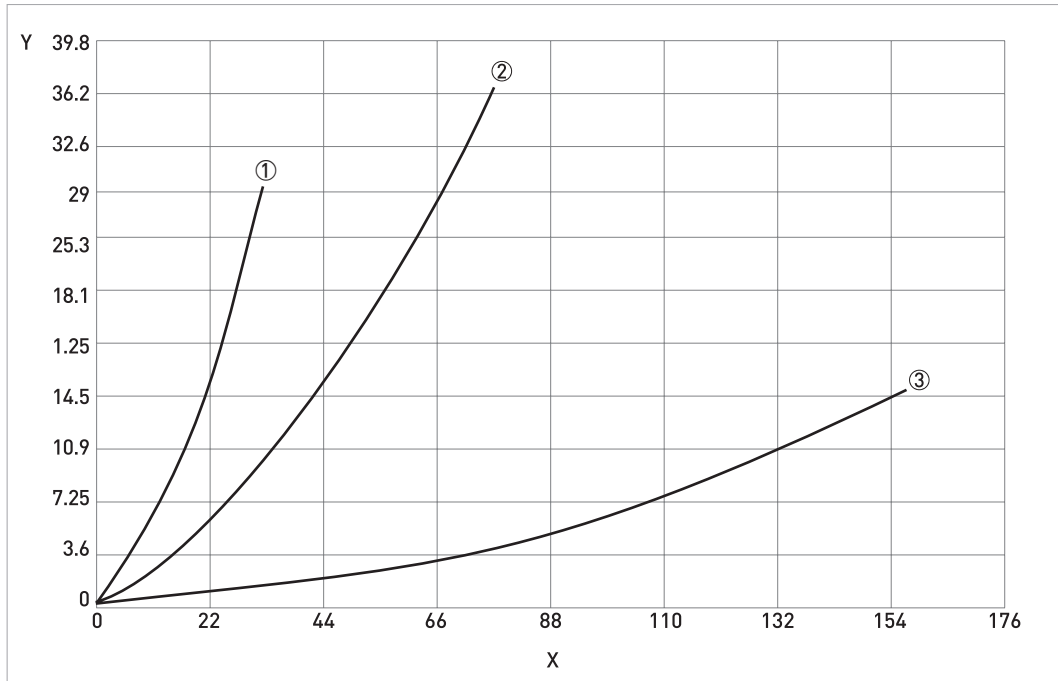
② S10

③ S15

Reference conditions

Meter	Product	Temperature
OPTIBATCH S08	Water	20°C
OPTIBATCH S10		
OPTIBATCH S15		

Imperial



X Mass flow [lb / min]

Y Pressure [psig]

① S08

② S10

③ S15

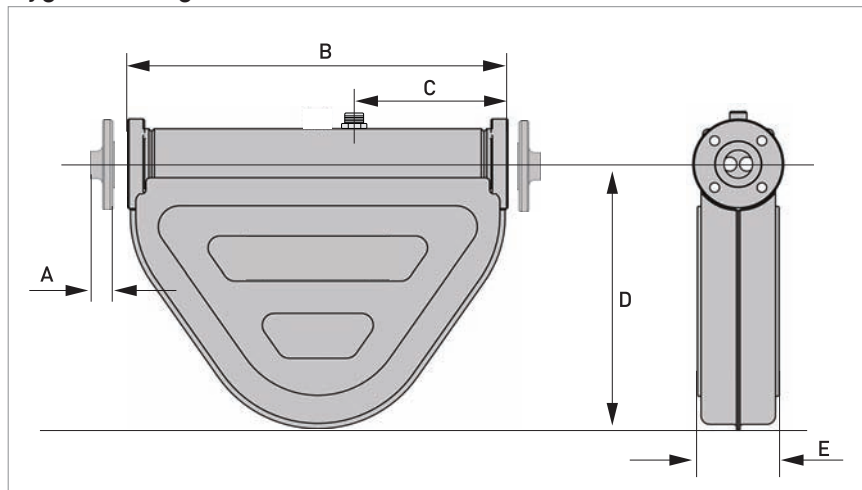
Reference conditions

Meter	Product	Temperature
OPTIBATCH S08	Water	68°F
OPTIBATCH S10		
OPTIBATCH S15		

7.5 Dimensions and weights

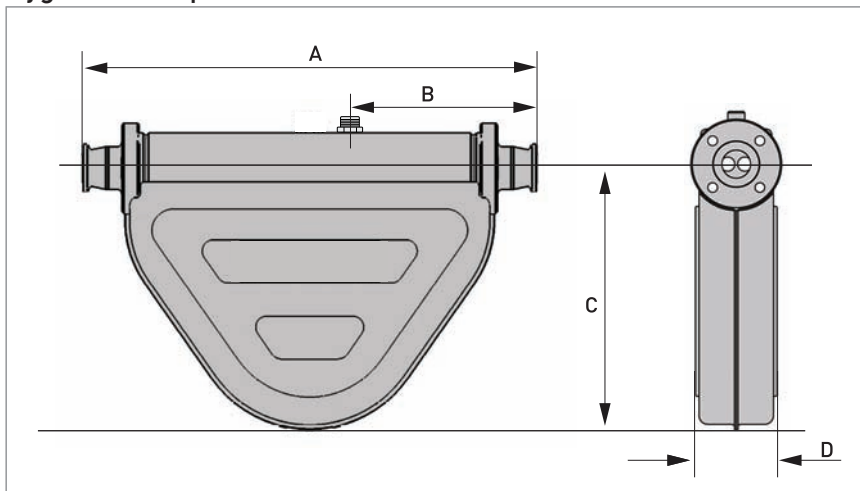
7.5.1 Dimensions

Hygienic flange



Meter	S08		S10		S15	
Connection	DN20 DIN11864-2		DN20 DIN11864-2		DN20 DIN11864-2	
	[mm]	[inches]	[mm]	[inches]	[mm]	[inches]
A	15	0.59	15	0.59	15	0.59
B	270	10.6	270	10.6	270	10.6
C	112	4.4	112	4.4	112	4.4
D	189	7.44	189	7.44	189	7.44
E	59.5	2.34	59.5	2.34	59.5	2.34

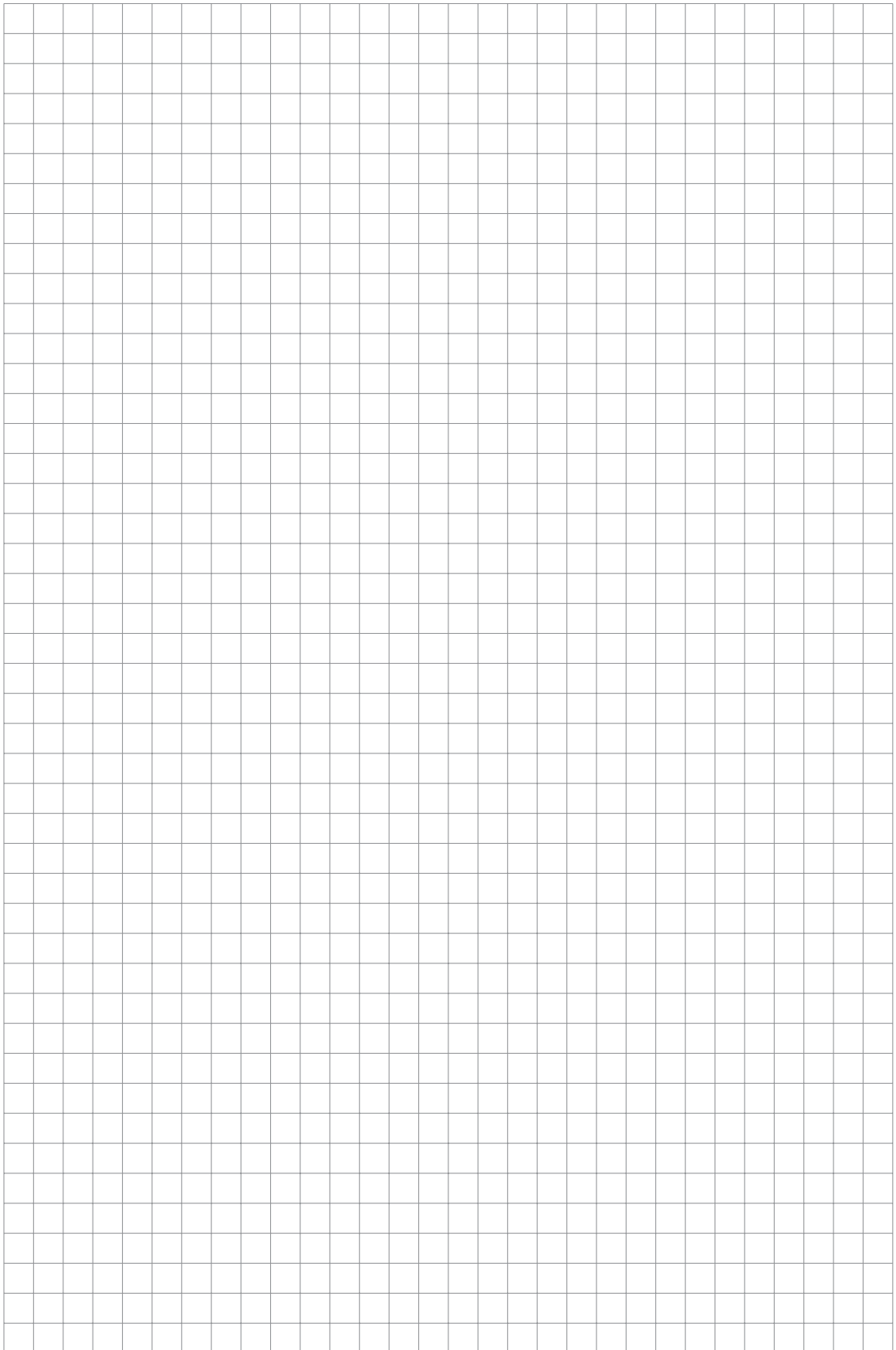
Hygienic clamp



Meter	S08 / S10				S15								
Connection	DN10 Clamp DIN32676	DN15 Clamp DIN32676	DN10 IDF Clamp (A type)	DN15 Tri-Clover	DN15 Clamp DIN32676	DN20 Clamp DIN32676	DN25 Clamp DIN32676	DN15 IDF Clamp (A type)	DN20 Tri-Clover	DN25 Tri-Clover	DN25 Clamp ISO2852	DN25 RJT	DN25 SMS
[mm]													
A	333				333								
B	144				144								
C	189				189								
D	59.5				59.5								
[inches]													
A	13.1				13.1								
B	5.7				5.7								
C	7.44				7.44								
D	2.34				2.34								

7.5.2 Weights

Meter	S08		S10		S15	
	[kg]	[lb]	[kg]	[lb]	[kg]	[lb]
	2.9	6.38	2.9	6.38	2.9	6.38





KROHNE – Process instrumentation and measurement solutions

- Flow
- Level
- Temperature
- Pressure
- Process Analysis
- Services

Head Office KROHNE Messtechnik GmbH
Ludwig-Krohne-Str. 5
47058 Duisburg (Germany)
Tel.: +49 203 301 0
Fax: +49 203 301 10389
info@krohne.com

The current list of all KROHNE contacts and addresses can be found at:
www.krohne.com

KROHNE